

# Cost-effective surge protection for easy field installation



## Features and benefits

- 20 kA nominal discharge current rating ( $I_n$ )
- 50 kA and 100 kA per phase surge current capacity
- Compact footprint—6.00 L x 4.13 W x 3.69 D inches
- Direct bus mounting
- Available in Type 1 and Type 2 applications
- 2-year warranty

Eaton's retrofit surge protection FD-frame series (RSPF) consists of UL® 1449 4th Edition-listed surge protective devices (SPD) that provide a reliable, cost-effective, aftermarket solution for surge protection and integrated surge installation. Designed for easy installation, this Type 1 or Type 2 SPD is approved for field installation and is capable of easy installation directly into a panelboard or switchboard without any modifications. The RSPF is available in multiple configurations that are specifically designed for Eaton panelboards and switchboards, allowing for installation on systems utilizing most common voltages. Easy mounting options coupled with a compact footprint enable quick installation of the RSPF in panelboards and switchboards in less than 10 minutes.

## Installation and operation

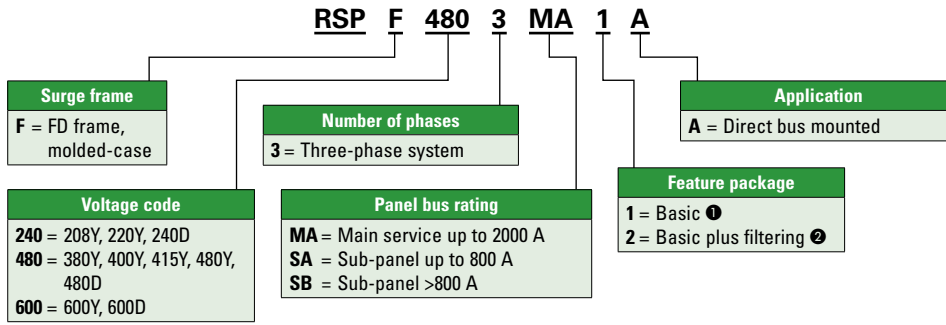
The RSPF is installed in existing Eaton PRL3 and PRL4/ PRLC panelboards and switchboards, utilizing the form and fit of the Eaton three-pole FD-frame molded-case circuit breaker (MCCB). The surge protector connects to existing three-pole FD-frame provisional mounting hardware and deadfronts to ensure proper installation. The device is to be installed where there is a provision in an existing panelboard and switchboard installation or where there is available space for a three-pole FD-frame MCCB.

The surge protector is similar in size and appearance to an FD-frame breaker, with a blue cover, LED indicator lights where the breaker actuator/lever normally reside, standard line-side terminals and a surge ground terminal on the load-side of the enclosure (no load terminals).

The surge ground terminal can accommodate wire sizes between 6 and 10 AWG. To minimize the surge ground wire length, the ground should be directly connected to either the neutral bus or ground bus, whichever is closest to the surge ground terminal.



Powering Business Worldwide

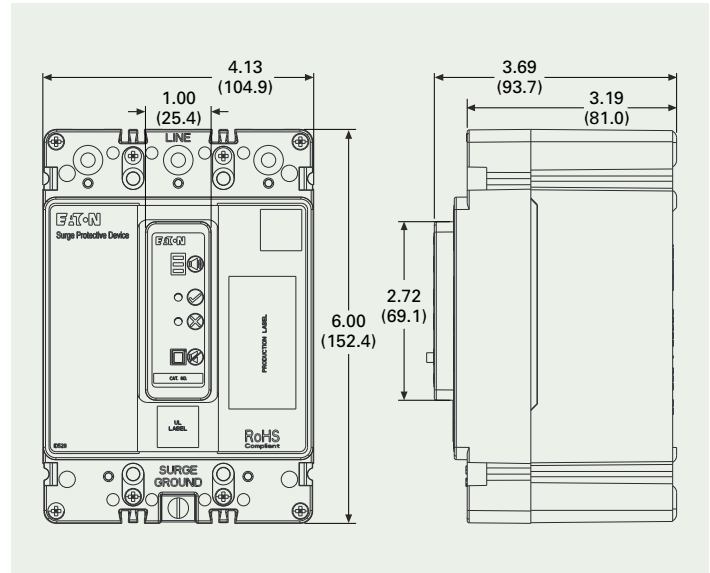


- ❶ Available only with SB and MA options.
- ❷ Available only with SA option.

**Product selection**

System voltage	Maximum continuous operating voltage (MCOV)	Catalog number
240	300 L-L, L-G	<b>RSPF2403MA1A</b>
240	300 L-L, L-G	<b>RSPF2403SA2A</b>
240	300 L-L, L-G	<b>RSPF2403SB1A</b>
480	640 L-L, L-G	<b>RSPF4803MA1A</b>
480	640 L-L, L-G	<b>RSPF4803SA2A</b>
480	640 L-L, L-G	<b>RSPF4803SB1A</b>
600	840 L-L, L-G	<b>RSPF6003MA1A</b>
600	840 L-L, L-G	<b>RSPF6003SA2A</b>
600	840 L-L, L-G	<b>RSPF6003SB1A</b>

**Dimensions in inches (mm)**



**Specifications**

Description	Ratings
kA per phase	50, 100
Nominal discharge current	20 kA
System voltages	208Y, 220Y, 240D, 380Y, 400Y, 415Y, 480Y, 480D, 600Y, 600D
Input power frequency	50/60 Hz
Protection modes	Wye L-N or L-G, L-L Delta L-G, L-L
Operating temperature	-40 °C to +60 °C
Relative humidity	5%–95%, noncondensing
Maximum altitude	2000 m
Weight	3 lb
Certification/listing	UL 1449 4th Edition, CSA® 269.1-14, 269.2-15, C22.2 No. 8-13 EMI filter ❶ Tested to 1283 EMI filter 6th Edition
SPD type	Type 1 and Type 2 SPD
RoHS compliant	Yes
Enclosure rating	Type 1 enclosure, IP56

- ❶ Available only with SA option.

For more information, visit [Eaton.com/rsp](http://Eaton.com/rsp).  
 For questions or additional information, please contact the Eaton Technical Resource Center at **1-800-809-2772**, option 4, option 2 or email inquiries to [surgeprotection@eaton.com](mailto:surgeprotection@eaton.com)

**Eaton**  
 1000 Eaton Boulevard  
 Cleveland, OH 44122  
 United States  
 Eaton.com

© 2017 Eaton  
 All Rights Reserved  
 Printed in USA  
 Publication No. PA158012EN / Z19928  
 November 2017

Eaton is a registered trademark.  
 All other trademarks are property of their respective owners.

Follow us on social media to get the latest product and support information.

